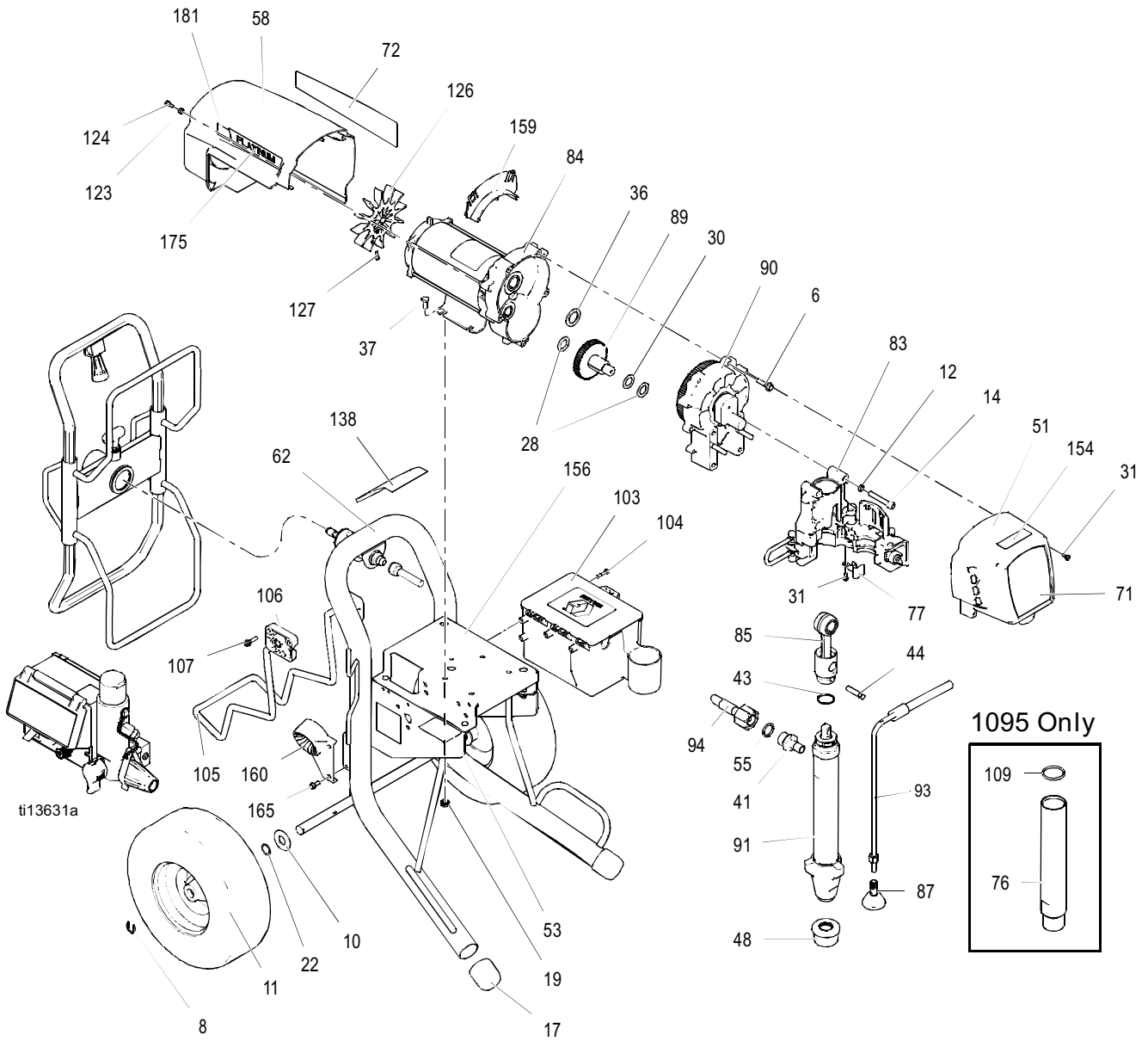


Parts - 1095 / Mark V



Parts List - 1095 / Mark V

Ref.	Part	Description	Qty.	Ref.	Part	Description	Qty.
6	15C753	SCREW, mach, hex wash hd	5		287295	Model 257040, 257041, 257043, 257044	
8	15E891	CLIP, retaining	2		287294	Model 257042, 257045	
10	156306	WASHER, flat	2	91		PUMP, displacement, hd, Mark V	1
11	119509	WHEEL, pneumatic	2		287513	1095 Models	
12	106115	WASHER, lock (hi-collar)	4		287928	Models 257043, 257044	
14	114666	SCREW, cap, socket head	4		287929	Model 257045	
17	276974	CAP, leg	2	93	248217	HOSE, drain, hi-boy	1
19	110996	NUT, hex, flange head	8	94		HOSE, coupled, 1/2 in.	1
22	116038	WASHER, wave spring	2		288658	1095 Models	
24	15F116	LATCH, handle	1		288659	Mark V Models	
28	114672	WASHER, thrust	2	103	287253	TOOLBOX (includes 104)	1
30	114699	WASHER, thrust	1	104	118852	SCREW, thd forming, hex washer	3
31	118444	SCREW, mach, slot hex wash hd	5	105	15Y455	BAR, kick stand	1
36	116192	WASHER, thrust, (1595)	1	106	15C982	CAM, cart	2
37	100057	SCREW, cap, hex hd	4	107	114531	SCREW, mach, hex washer hd	4
41		FITTING, pump, quick disconnect	1	108	15F503	SCREW, set, socket head	1
	15E802	1095 Models		109	118494	O-RING, packing (1095 Models)	1
	15G880	Mark V Models		118	120185	FITTING, hydraulic	1
43	119778	SPRING, retaining	1	123	276980	GROMMET, cover	2
44	15F110	PIN, pump, 5900	1	124	119250	SCREW, shoulder	2
48	189920	STRAINER, (1-11 1/2 npsm)	1	126	15D088	FAN, motor	1
51	15W633	COVER, drive, chrome	1	127	115477	SCREW, mach, torx pan hd	1
55		O-RING	1	128•	•222385	TAG, warning	1
	119790	1095 Models		136	195767	LABEL, warning, st	1
	C20195	Mark V Models		138	243301	LABEL, set, stpro, int'l (Models 257040, 257041, 257043, 257044)	1
56	15F498	SCREW, adjustment	1	139	15E625	PIN, housing, bearing	1
58	15W632	SHIELD, motor, chrome	1	140	15G890	LATCH, bearing housing	1
62	24A910	FRAME, platinum, 1095/Mark V	1	141	111040	NUT, lock, insert, nylock, 5/16	2
71		LABEL, front	1	147	15X903	LABEL, Euro ultra platinum wo wd	1
	15D071	1095 Models		151	109450	PACKING, o-ring	1
	15F117	Mark V Models		152	15G584	RECEIVER, clamp	1
72		LABEL, side	1	153	116942	SCREW, shoulder, socket head	1
	15D072	1095 Models		154	15F584	LABEL, proconnect	1
	15F118	Mark V Models		156	288899	SHELF, ultra, pem assembly	1
76	249122	TUBE, intake (1095 Models)	1	159	278075	BRACKET, wire	1
77	15E975	CLIP, spring	1	160	278083	GUIDE, hose, ultra platinum	1
83	287933	HOUSING, bearing (5900)	1	165	117633	SCREW, slot hex wash hd	2
84	257187	MOTOR, electric, c104 1095	1	175	15W980	LABEL, platinum shroud	2
85	241279	ROD, connecting (5900) includes 43	1	181	15Y118	LABEL, Made in the USA	1
87	241920	DEFLECTOR, threaded	1				
89	287290	GEAR, combination, 1595	1				
90		HOUSING, drive (includes 6, 36)	1				

• Extra Danger and Warning tags and labels are available at no cost.

Parts - Pump 287513

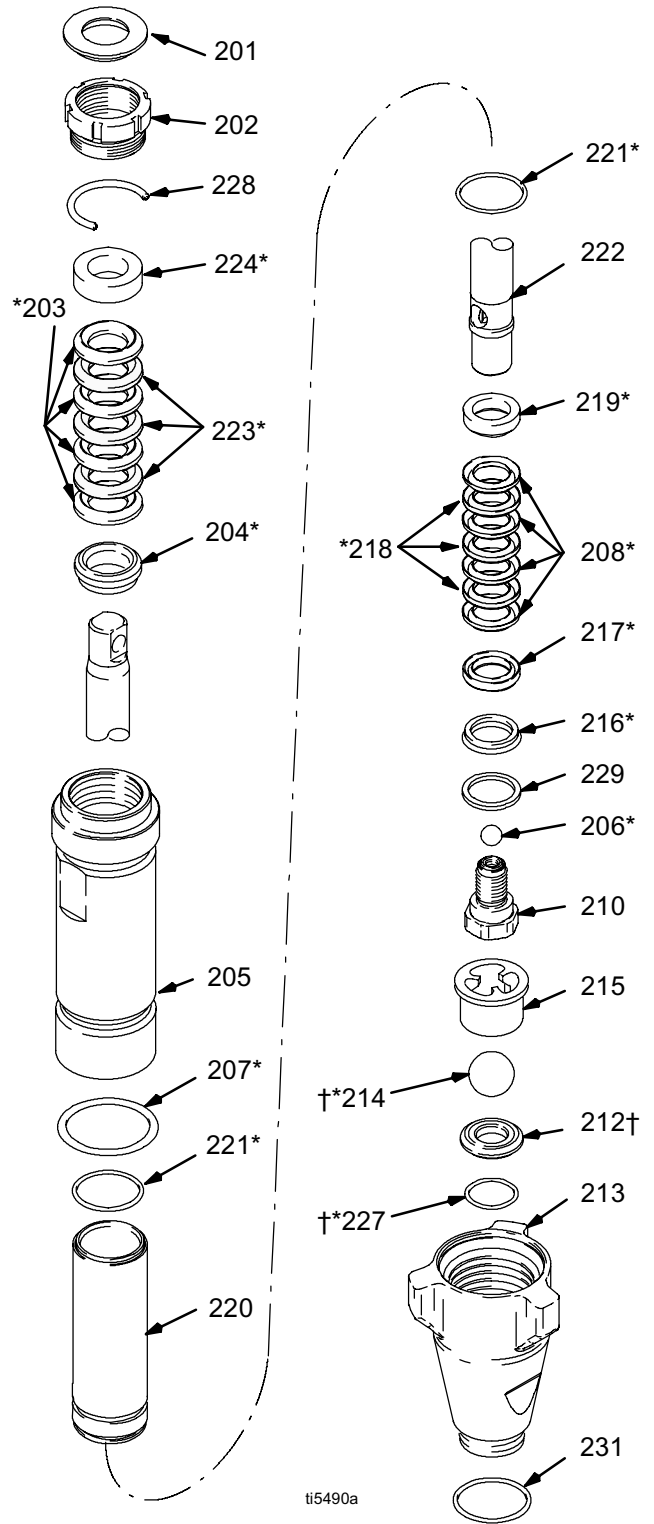
Model 287513, Series A

Ref No.	Part No.	Description	Qty.
201	183171	PLUG	1
202	193032	NUT, packing	1
203*	193124	V-PACKING, throat, V-Maxt UHMWPE, blue	4
204*	15C989	GLAND, male, throat	1
205	287552	CYLINDER, pump	1
206*	101947	BALL, sst, 0.3125 in.	1
207*	106556	PACKING, o-ring	1
208*	193125	V-PACKING, piston V-Maxt UHMWPE, blue	4
210	240150	VALVE, piston	1
212†	244199	KIT, seat, carbide includes 214 and 227	1
213	15E654	VALVE, intake (foot)	1
214*†	102972	BALL, metallic	1
215	193027	GUIDE, ball	1
216*	118504	WIPER, piston	1
217*	183185	GLAND, female, piston	1
218*	15E329	V-PACKING, leather, piston	3
219*	183178	GLAND, male	1
220	248210	SLEEVE, cylinder	1
221*	107098	PACKING, o-ring	2
222	248207	ROD, piston	1
223*	183175	V-PACKING, leather, throat	3
224*	15C990	GLAND, packing	1
227*†	108526	PACKING, o-ring	1
228	193127	SPACER, nut	1
229*	15C998	WASHER, backup	1
230††	15E802	FITTING, pump (not shown)	1
231	118494	O-RING, acetal	1
232††	15E806	TUBE, intake (not shown)	1

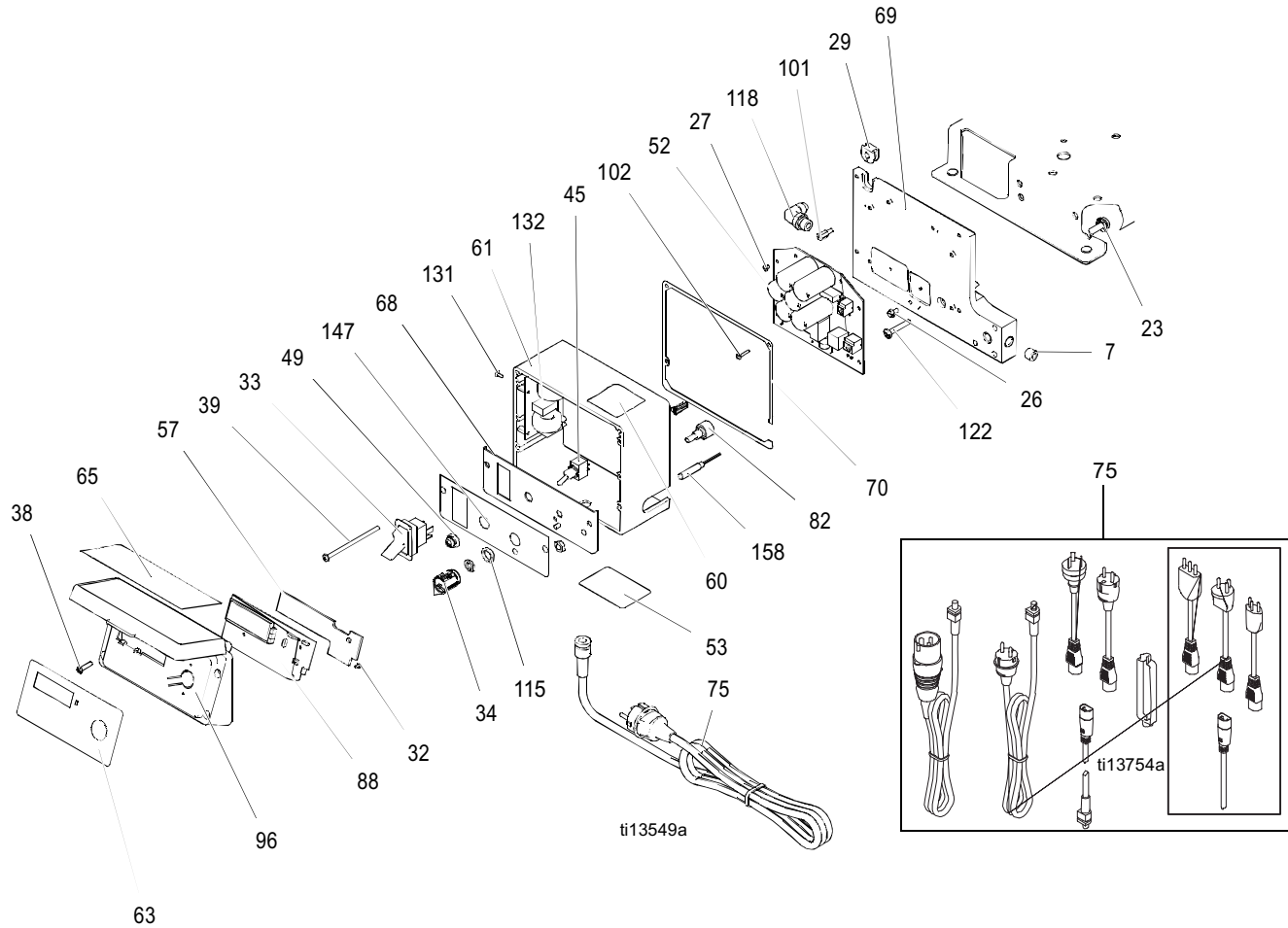
* These parts are also included in Repair Kit 248213, which may be purchased separately.

† These parts are also included in Carbide Seat Kit 244199, which may be purchased separately.

†† These parts are included with pump 287513.

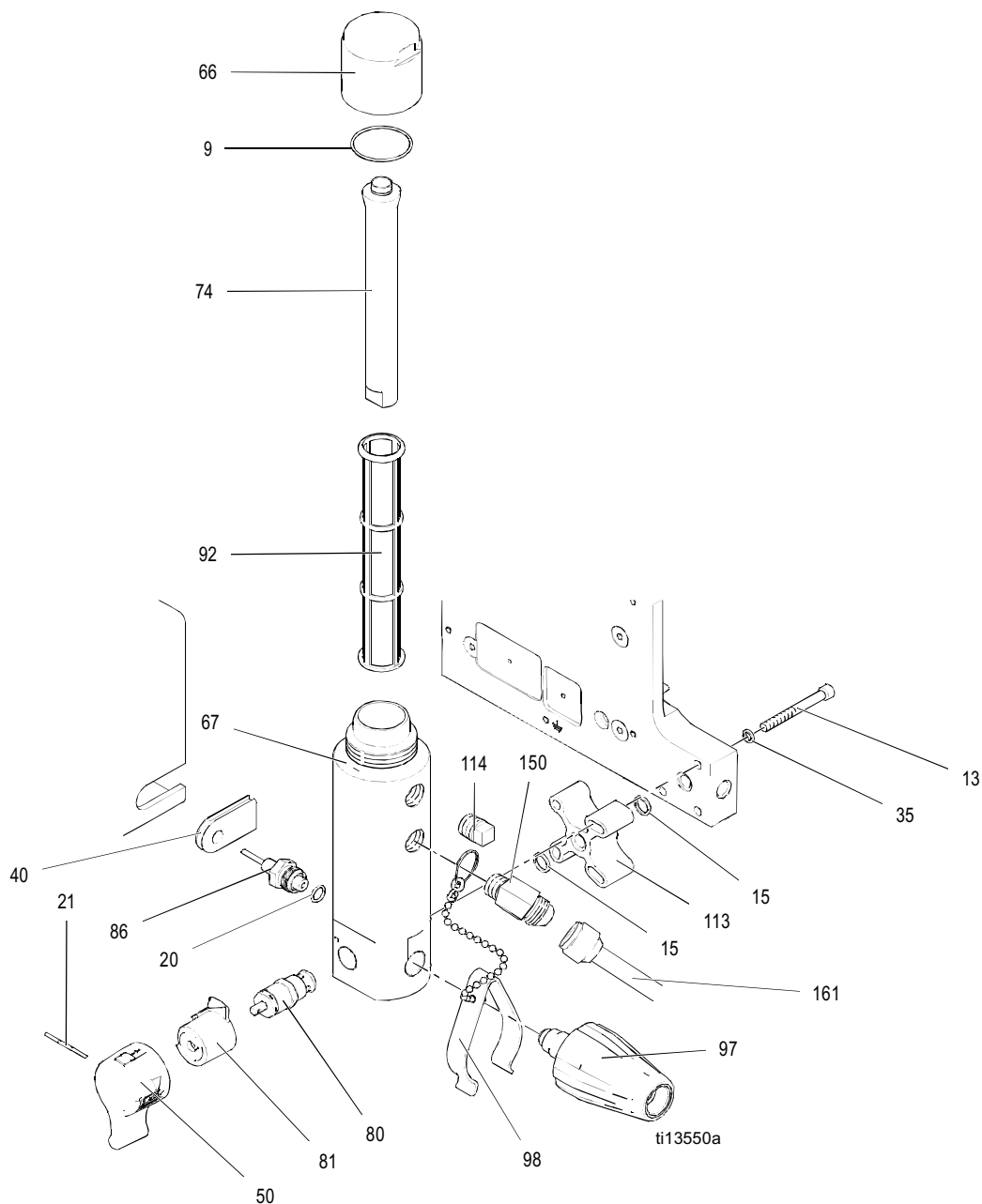


Parts - Control Box



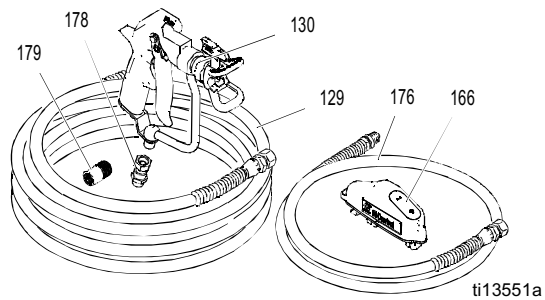
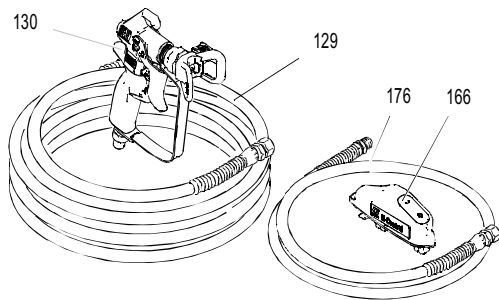
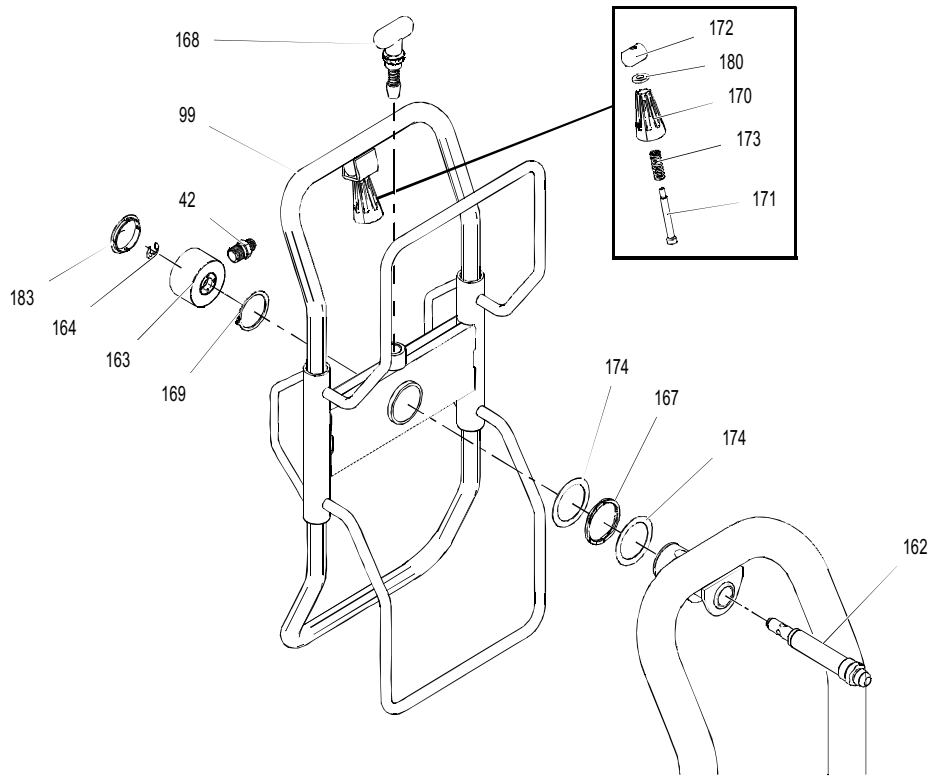
Ref.	Part	Description	Qty.	Ref.	Part	Description	Qty.
7	100721	PLUG, pipe	1	70	15D036	GASKET, control box	1
23	110963	SCREW, cap, flange head	2	75		CORD, power, 240V	1
26	114391	SCREW, grounding	1	15D528		Models 257034, 257037, 257040, 257043	
27	113045	SCREW, sems, mach, phillips	6	15D529		Models 257035, 257038, 257041, 257044	
29	15V996	GROMMET, motor lead	1	15D530		Models 257036, 257039, 257042, 257045	
32	115522	SCREW, mach, pnh	3	82	256219	POTENTIOMETER, assembly	1
33		SWITCH, rocker, 240V	1	88	256229	CONTROL, board, receiver	1
	15D527	Models 257034, 257035, 257037, 257038, 257040, 257041, 257043, 257044		96	244032	COVER, control	1
	15C979	Models 257036, 257039, 257042, 257045		101	15V938	STUD, control board	6
34	116167	KNOB, potentiometer	1	102	114420	SCREW, mach, pnh, sems, phillips	2
38	116252	SCREW, #10, taptite phil	4	115	122725	GASKET	1
39	112381	SCREW, mach, pan head	4	118		FITTING	1
45	119541	SWITCH, toggle (695/795/1095 Models)	1		116793	695/795/1095 Models	
49	195428	BOOT, toggle (695/795/1095 Models)	1		120185	Mark V Models	
52		CONTROL, board	1	122	115478	SCREW, mach, torx/slt pan hd	1
	257449	Models 257034, 257035, 257037, 257038, 257040, 257041, 257043, 257044		131	119228	SCREW, mach, flat hd	4
	257448	Models 257036, 257039, 257042, 257045		132	248220	FILTER, board	1
57	15X893	PAD, foam	1	137	195551	RETAINER, plug, adapter (Models 257035, 257038, 257041, 257044)	
60	195793	LABEL, warning	1	143	287121	CORD SET (Models 257035, 257038, 257041, 257044)	1
61	15D431	BOX, control, 240V	1	147		LABEL, Euro platinum control	1
63	15X508	LABEL, brand, Smartcontrol LCD	1		15X553	695/795/1095 Models	
65	15X507	LABEL, brand, Smartcontrol	1		15X903	Mark V Models	
68	15X480	PANEL, control	1	158	122507	SWITCH, reed	1
69	15V937	PLATE, power bar	1	184	122725	GASKET, sealing	1

Parts - Filter



Ref.	Part	Description	Qty.	Ref.	Part	Description	Qty.
9	117285	PACKING, o-ring	1	92		FILTER, fluid	
13	C19817	SCREW, cap, socket head	3	244071		30 mesh	1
15	121513	PACKING, square ring	2	244067		60 mesh, original equipment	1
20	111457	PACKING, o-ring	1	244068		100 mesh	1
21	15C972	PIN, grooved	1	244069		200 mesh	1
35	105510	WASHER, lock, spring (hi-collar)	3	97	287293	VALVE, AutoClean; includes 97a	1
40	15D033	GROMMET, transducer	1	97a	15F950	GASKET	1
50	24B218	HANDLE, valve, prime, Autoclean	1	98	244346	KIT, repair, clamp, trigger	1
66	15C765	CAP, filter	1	113	15F844	SPACER, manifold	1
67	15C838	BASE, filter	1	114	104813	PLUG, pipe	1
74	15C766	TUBE, diffusion	1	150	122533	FITTING, 45 deg elbow, #8 jic x 3/8	1
80	24A381	VALVE, prime, heavy duty	1	161		TUBE, formed, ultra platinum	1
81	24A382	BASE, valve, heavy duty	1	15X481		695/795 Models	
86	243222	TRANSDUCER, pressure control	1	15X489		1095/Mark V Models	

Parts - Hose Reel



Ref.	Part	Description	Qty.
42		ADAPTER	1
	164672	695/795/1095 Models	
	162485	Mark V Models	
99	24B691	REEL, hose, platinum	1
129		HOSE, coupled, 3/8 x 50	1
	240794	695/795/1095 Models	
	240797	Mark V Models	
130		GUN, spray, texture, unpackaged	1
	288475	695/795/1095 Models	
	241705	Mark V Models	
162	24B608	SHAFT, swivel	1
163	24B248	CAP, swivel, complete	1
164	122347	RING, retaining, external	1
166	24B194	TRANSMITTER, pressure, remote	1
167	122534	SPRING, wave	1

Ref.	Part	Description	Qty.
168	122517	PIN, pop, lock out	1
169	122524	RING, retaining, external	1
170	278085	HANDLE, swivel	1
171	122518	SCREW, shoulder, sch	1
172	15X618	NUT, swivel, handle	1
173	122542	SPRING, die	1
174	122607	WASHER, flat	2
176		HOSE, cpld, 1/4 in. x 3 ft	1
	240794	695/795/1095 Models	
	241735	Mark V Models	
178	189018	SWIVEL, 5800 psi (Mark V Models)	1
179	159841	BUSHING, 7250 psi, 3/8 x 1/4 (Mark V Models)	1
180	122669	WASHER, flat	1